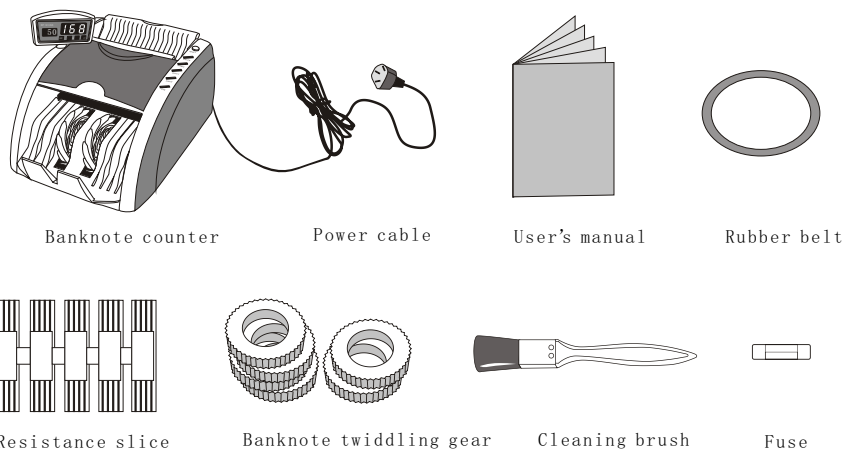


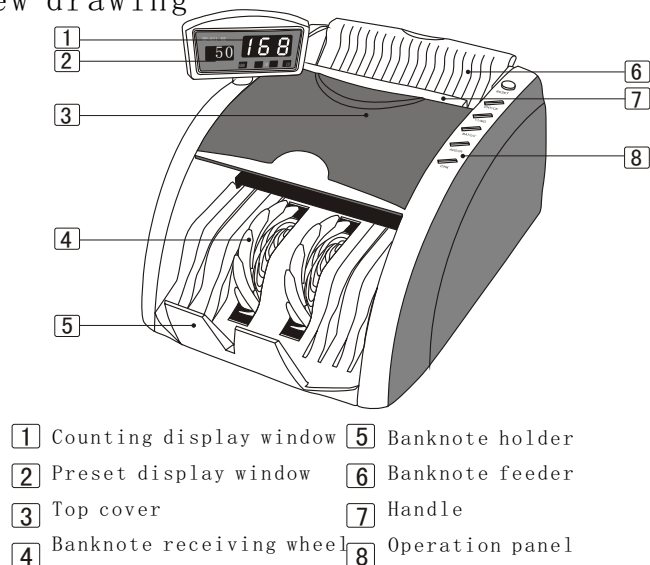
## Unpacking

Please check whether the appearance of the machine is in good conditions and whether all of the accessories are available. Inside the package there shall be the following:



## Exterior Introduction

### Three-view drawing



## How to replace the wearing parts

- When the resistance slice is seriously worn, it shall be replaced. Draw out the banknote feeder, press down the banknote slice board, and replace the worn resistance slice with a new one or change to another rubber wearing side, then resume to the original state.
 

Resistance slice is seriously worn
- Rubdown banknote twiddling gear will cause unsmooth banknote feeding and inaccurate banknote counting, so it shall be replaced. Draw out the banknote feeder, remove both the left and right plastic side covers, and replace the worn gear wheel with a new one, and then resume to the original state.
 

New banknote twiddling gear is rubbed down
- The fuse can be replaced if it is burned out, open the cover of fuse holder and insert a new one, then re-cover it.
 

Replace the fuse

## Instructions for maintenance

- If the temperature is lower than 20°C, please turn on machine and wait for three minutes before counting.
- The machine shall be operated at places with good ventilation and kept away from strong sunshine and strong magnetic field.
- The plug of the machine shall be inserted to electrical socket with safe grounding.
- The power supply of the machine shall be within the scope of 220V $\pm$ 10% (Please specify if requiring the machine to work with 110V $\pm$ 10%). Otherwise it will affect the machine's normal operation.